

Installation Instructions



Thank You! for purchasing Mirror Wraps™.

You are now ready to transform your plain mirror to an elegant focal point.

Follow these simple instructions carefully. Please call our customer service line at (770) 447-9308 or e-mail us at sales@atldesigngroup.com if you have questions or problems.

Our Customer Service Department is open Monday - Friday, 8AM - 5PM EST

What you will need:

- Someone to help with the installation (over 50" wide frame)
- Damp Cloth
- Rubber mallet or Hammer

What's included in your order:

(If you are missing anything, please call Customer Service at (770) 447-9308)

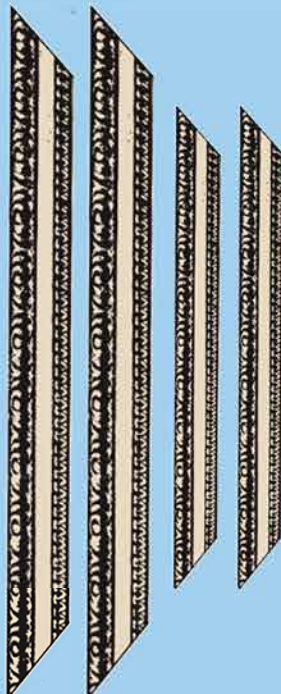
- 8 - plastic wedges (more wedges may be supplied with larger frames)
- 4 - Mirror Wrap™ frame pieces
- 1 - Bottle of wood glue



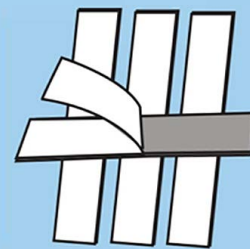
Wedges



Glue



Frame Moulding Pieces

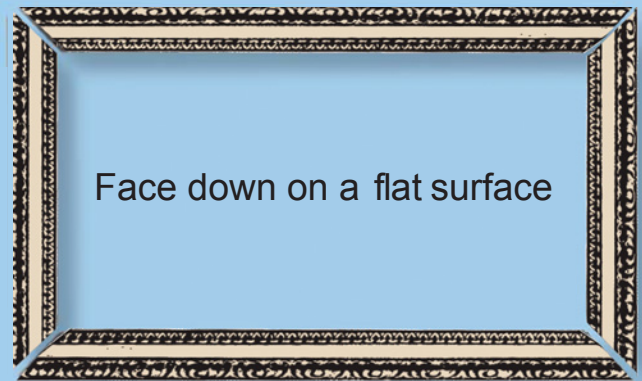


Double Sided Tape

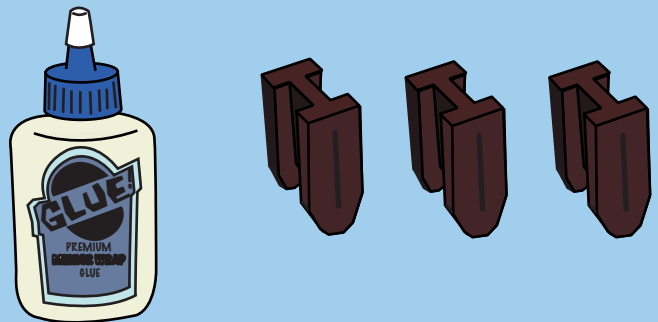
*If you have clips on your mirror please call our Customer Service Department at (770) 447-9308 for further instructions.

Assemble the Frame Moulding

1. Start by laying out the Four (4) mitered Mirror Wrap™ frame sections FACE-DOWN on a flat cushioned surface.



2. Locate the 8 plastic wedges and the glue bottle. Apply glue evenly to 2 adjoining frame ends making sure that the glue is spread evenly covering the entire end of each piece of frame as shown

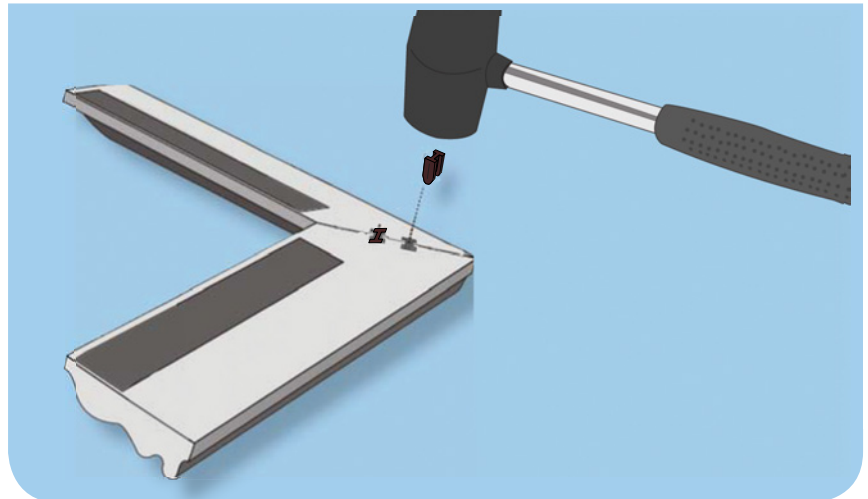


3. Align the glued frame ends and insert the wedges into the pre-drilled slots with your thumbs, rounded end first as shown



If needed, lightly tap in the wedges with a small hammer or rubber mallet until wedges are flush with the frame back as shown.

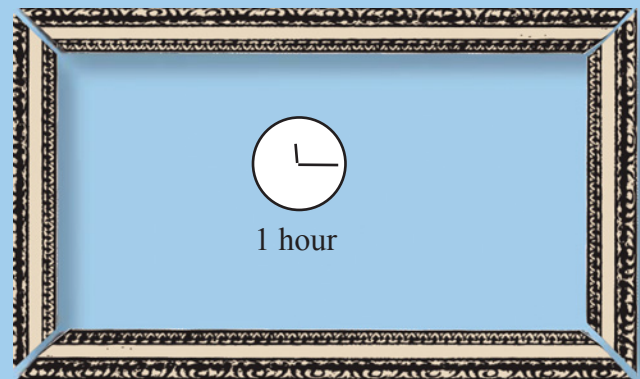
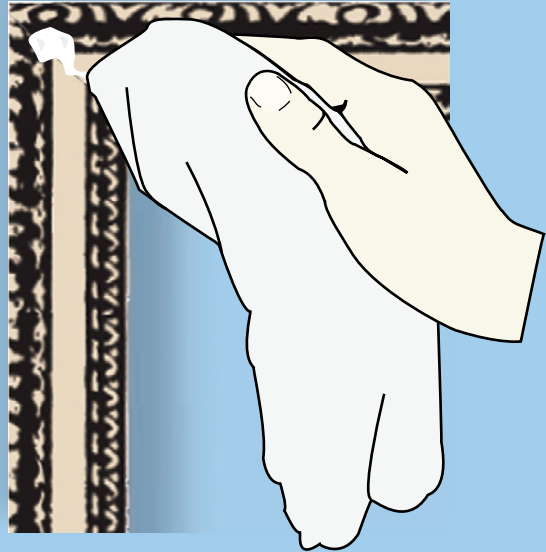
4. Repeat this process for the remaining frame corners.



Assemble the Frame Moulding

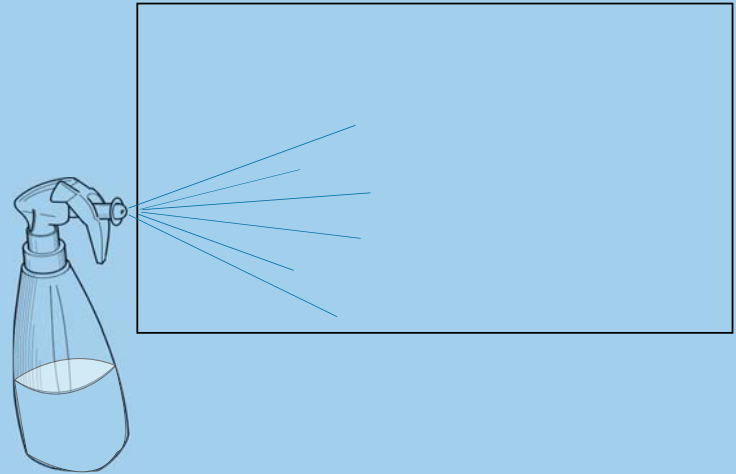
5. Turn Mirror Wrap™ frame over and remove excess glue from frame corners with a damp cloth as shown.

Let frame dry for one (1) hour prior to installation.



Installing the frame on the mirror

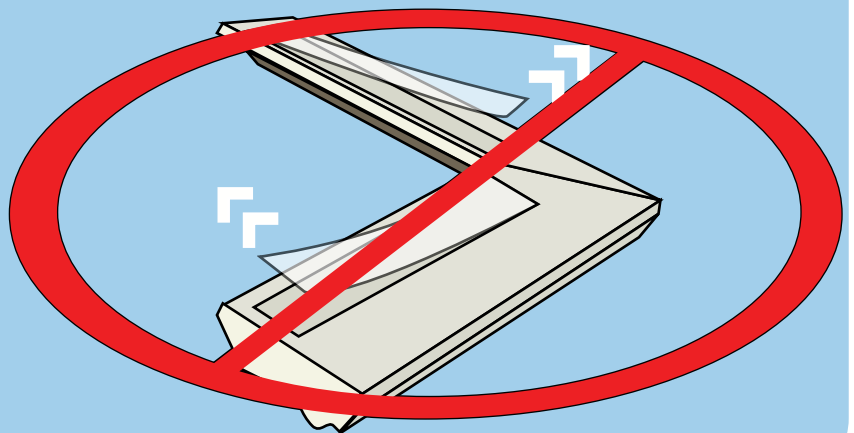
1. While your frame is drying, clean the perimeter of your mirror surface where the mounting tape will contact your mirror. For best results use a 50/50 mix of water and isopropyl or rubbing alcohol. **DO NOT USE GLASS CLEANER** as it will leave a chemical residue.



2. Test fit the frame to the mirror by positioning the frame against the mirror making sure that the frame covers the mirror edge as shown. Depending on the size of the frame we suggest getting a family member or friend to assist you.

DO NOT REMOVE PROTECTIVE BACKING FROM MOUNTING TAPE AT THIS TIME!!!

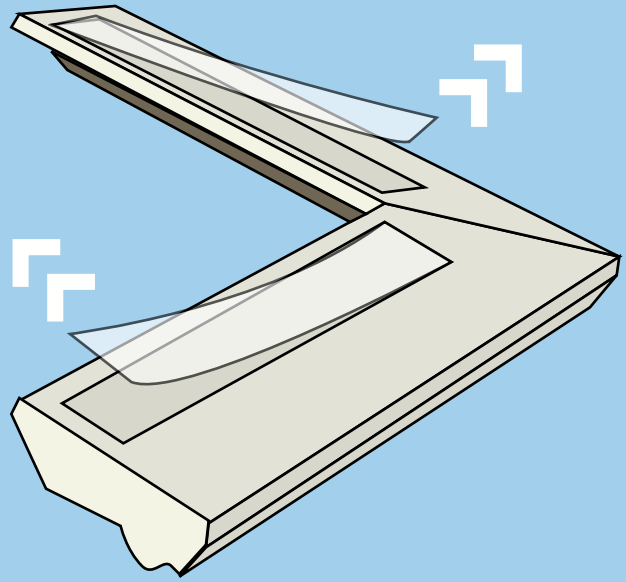
Based on the measurements provided, the factory has cut the frame 1/4" over the requested size so the frame will hide the edge of the mirror.



Installing the frame on the mirror

3. Once you test fit the frame NOW you are ready to mount the frame to the mirror surface.

Peel off the clear protective backing from the mounting tape that is located on the back of the Mirror Wrap™ frame as shown. Once the protective backing is removed be careful not to touch anything as the mounting tape is extremely sticky and permanent.



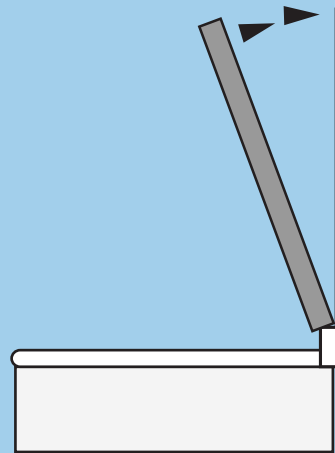
Installing the frame on the mirror

5. Carefully transport the frame back to the mirror and without touching the mirror surface, position the frame on the backslash. Move the frame towards the mirror starting with the bottom edge first, rocking the frame towards towards the top as shown.

Then Push firmly with your hands along the entire surface of the frame making sure that the frame is secured to the mirror.

6. Congratulations!!!

You've now transformed that plain mirror into an elegant focal point.



IF YOU MAKE A MISTAKE, QUICKLY PULL THE FRAME AWAY FROM THE MIRROR.

If the tape is still intact correct the problem and remount the Mirror Wrap™ as shown above.

If this does not work call us at 877-447-9308 for further assistance.